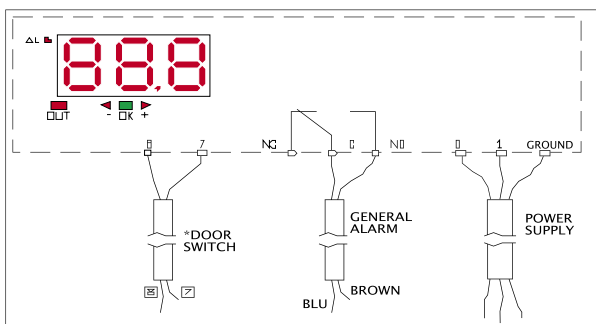


# EBB Electronic Thermostat



### Multifunctional electronic controller EBB

This controller allows to set the temperature inside the enclosure and to check the status of the air conditioner. Moreover there is a digital input in order to manage a door switch contact or a remote control.

The controller consists of:

a display: three-figure LCD display

Three keys: P for accessing the task menu and for setting the set-point

Two scrolling keys

five LED  
 OUT indicates that the compressor is working  
 OK the temperature is within the working range  
 "-" low temperature alarm  
 "+" high temperature alarm  
 AL general alarm

Code	Warning	Possible causes
E1	Probe alarm	Broken probe
EEPr	EEPROM Alarm	EEPROM failure
HI	Alarm high temperature	Temperature inside the enclosure too high
L	Alarm low temperature	Temperature inside the enclosure too low
AL	Bad Alarm	Enclosure door open