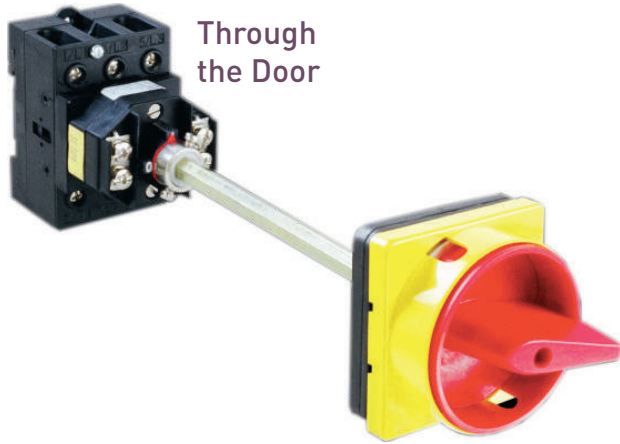


DIN RAIL ACCESSORIES

ENCLOSURE DISCONNECTS



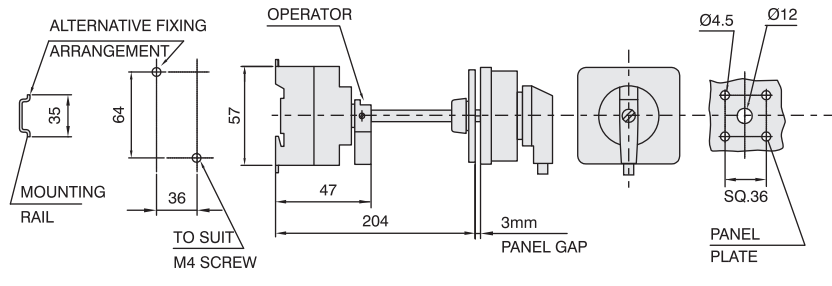
Through the Door

Features

- + Front door operation with door interlock
- + Complete Assembly with rigid metal shaft
- + Padlockable in 3 positions
- + DIN Rail or 2-hole panel mounting
- + 4-hole front panel bolt pattern
- + Approvals: UL508, CSA, IP65
- + Accessory Add-on Main Pole, Neutral Pole, & N.O./N.C. contact modules
- + Call for 4-6 pole models



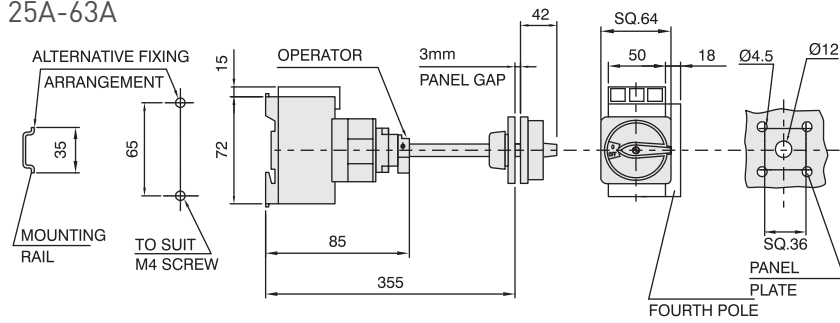
THROUGH THE DOOR DISCONNECT 16A-20A



DIN Rail Disconnect Switches 3 Pole, 600V

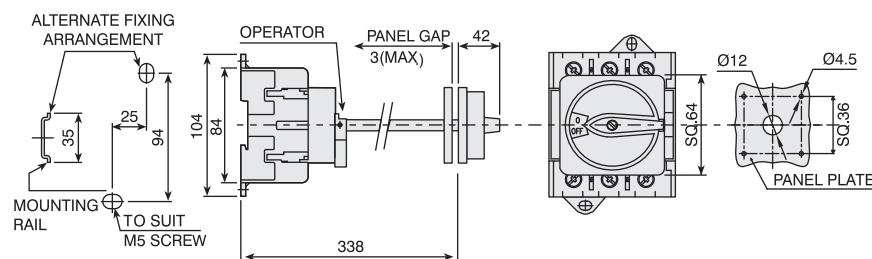
MB34 through-the-door	Amps	Opt.4th Pole	Opt.Neutral
LB22531309MB34RDYR	25A	RMC25	RNC25
LB23231309MB34RDYR	32A	RMC32	RNC32
LB26331309MB34RDYR	63A	RMC63	RNC63
LB10031309MB34RDYR	100A	RMC100	RNC100
LB12531309MB34RDYR	125A	RMC125	RNC125

25A-63A



Call for 4-6 poles models.
Optional NO/NC contact module.

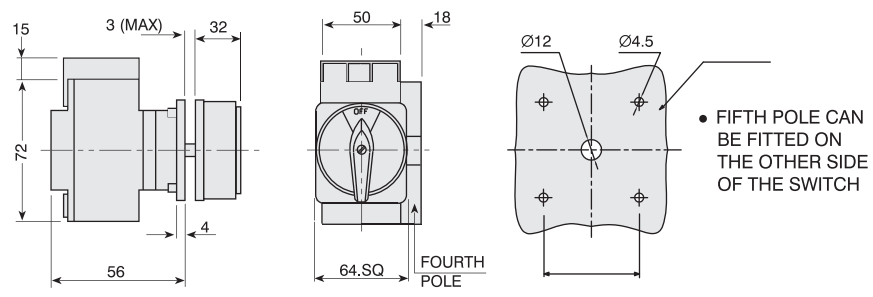
80A-125A



Front Mount



**FRONT MOUNT DISCONNECT
25A-63A**



Features

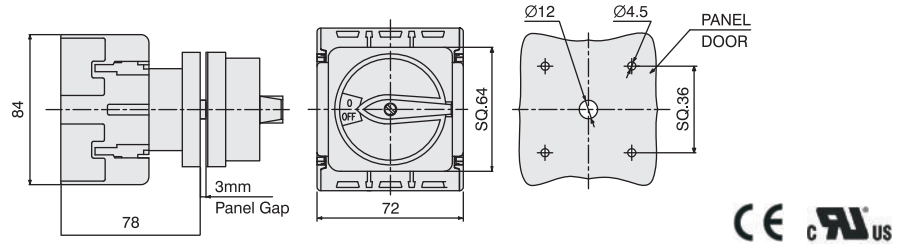
- + Front panel operation
- + IP65 Protection
- + Padlockable in 3 positions
- + 4-hole front panel bolt pattern
- + Approvals: UL508, CSA
- + Call for higher amp models

- 4 hole front panel mounting, sq. 36mm.
- Degree of protection : Front IP 65.
- Switch with round padlocking device to prevent the Switch from being switched ON by unauthorised personnel.
- Max 3 padlocks.

Front Mount Disconnect Switches - 3 Pole, 600V

B33 Front Panel Mount	Amps
LB23231309B33RDYR	32A
LB26331309B33RDYR	63A

80A-125A



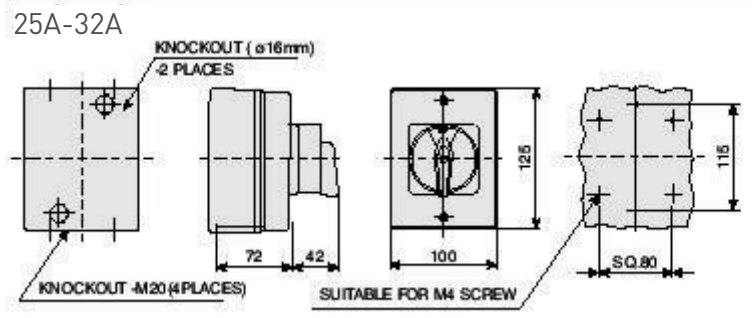
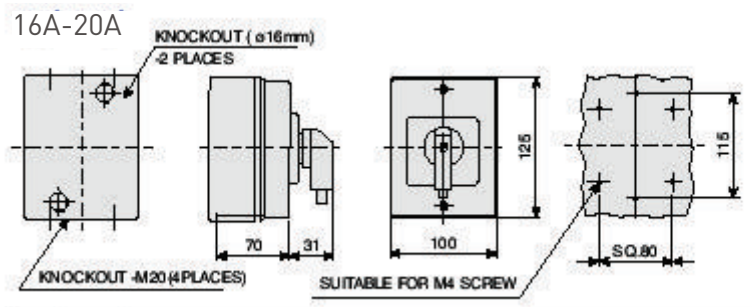
Enclosed Disconnect



ENCLOSED DISCONNECTS 600V 3-Pole

Features

- + IP65 Protection
- + Padlockable in 3 positions
- + 4-hole rear panel mounting
- + Enclosed model is not UL approved
- + Call for higher amp models



Enclosed Disconnect Switches - 4 Pole, 600V

B31SM ABS Plastic Box	Amps
LB23231400B31SMRDYR	32A