

Features

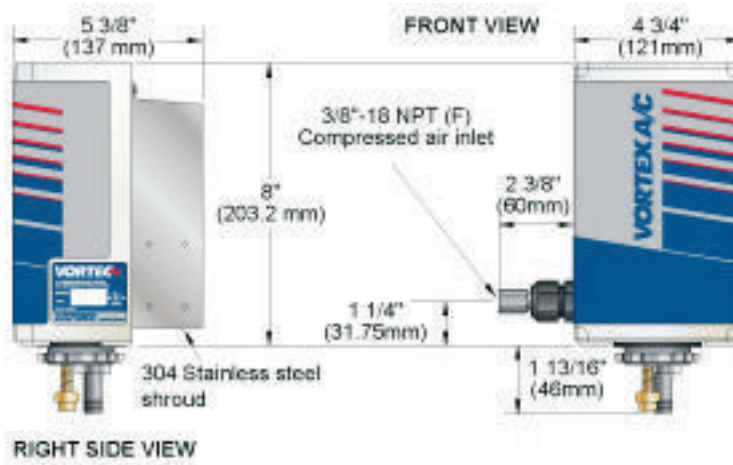
- + All models include the 5-micron Auto-Drain Air Line Filter, (2) Ducting Kits to distribute the cold air, and (2) Cold End Mufflers
- + All models are UL Listed.
- + Top or side mounting with the height ranging from 6 to 9 inches tall.

LOW NOISE VORTEX ENCLOSURE COOLERS

ENCLOSED COMPRESSED AIR COOLER



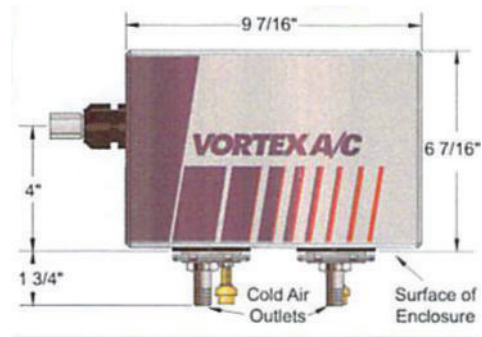
LOW NOISE MODELS



Diagrams

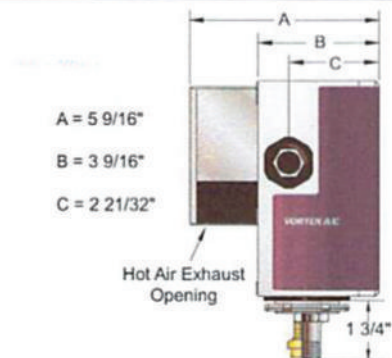
Low Noise (62dba) models with integral thermostat in ABS plastic enclosure.

NEMA Type	Model#	Btu/Hr	Cal/Hr	SCFM	SLPM
NEMA-4/4X	7715	900	225	15	425
NEMA-4/4X	7725	1500	378	25	708
NEMA-4/4X	7735	2500	625	35	991



New Two-stage Low Noise (62dba) model with (2) integral thermostats in ABS plastic enclosure.

NEMA Type	Model#	Stage	Btu/Hr	Cal/Hr	SCFM	SLPM
NEMA-4/4X	7770	1st @ 90°F	2500	625	35	991
NEMA-4/4X	7770	2nd - 100°F	5000	1250	70	1981



LOW NOISE TWO STAGE MODELS