

# ENCLOSURE FILTER FANS & EXHAUST

## STANDARD SIDE MOUNT



### Features

- + 4 to 12 inch sizes with 21 to 647 CFM
- + Top mount fan capacity 338-1390 CFM
- + 24 VDC, 115VAC, 230VAC
- + Single Hole Cut-out for up to 8 inch (250mm)
- + Ball Bearing Fans
- + Airflow into or out of panel by model
- + Thin Profile - Extends 7mm outside of panel
- + UL Approved, CE, IP54



### Exhaust Vent (Filtered)

P/N	Voltage	Air Vol.	Dimensions	Repl. Filter
GKF10	N/A	N/A	109x109x13	AVAFAGK10
GKF15	N/A	N/A	150x150x13	AVAFAGK15
GKF20	N/A	N/A	204x204x17	AVAFAGK20
GKF25	N/A	N/A	250x250x17	AVAFAGK25
GKF30	N/A	N/A	325x325x17	AVAFAGK30

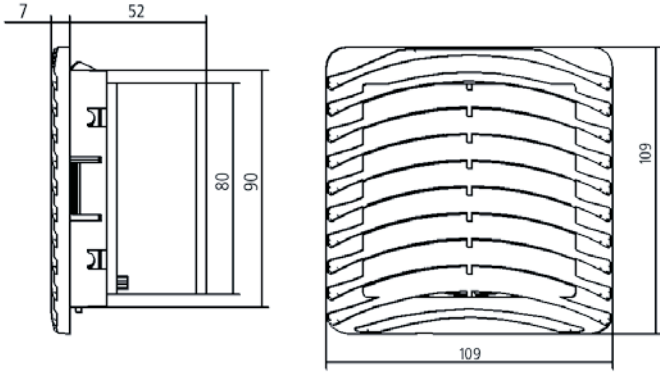
### Filter Fans

P/N	Flow	Appr.	Voltage	Air Vol.	Dim. (mm)
GKV1000220	In	UL	230-1-50/60	21 CFM	109x109x52
GKV10P0220	Out	UL	230-1-50/60	21 CFM	109x109x52
GKV1000222	In	UL	115-1-50/60	21 CFM	109x109x52
GKV10P0222	Out	UL	115-1-50/60	21 CFM	109x109x52
GKV1000211	In		24VDC	21 CFM	109x109x52
GKV10P0211	Out		24VDC	21 CFM	109x109x52
GKV1500220	In	UL	230-1-50/60	39 CFM	150x150x52
GKV15P0220	Out	UL	230-1-50/60	39 CFM	150x150x52
GKV1500222	In	UL	115-1-50/60	39 CFM	150x150x52
GKV15P0222	Out	UL	115-1-50/60	39 CFM	150x150x52
GKV1500211	In		24VDC	39 CFM	150x150x52
GKV15P0211	Out		24VDC	39 CFM	150x150x52
GKV2000220	In	UL	230-1-50/60	64 CFM	204x204x89
GKV20P0220	Out	UL	230-1-50/60	64 CFM	204x204x89
GKV2000222	In	UL	115-1-50/60	64 CFM	204x204x89
GKV20P0222	Out	UL	115-1-50/60	64 CFM	204x204x89
GKV2000211	In		24VDC	64 CFM	204x204x89
GKV20P0211	Out		24VDC	64 CFM	204x204x89
GKV2500220	In	UL	230-1-50/60	112 CFM	250x250x102
GKV25P0220	Out	UL	230-1-50/60	112 CFM	250x250x102
GKV2500222	In	UL	115-1-50/60	112 CFM	250x250x102
GKV25P0222	Out	UL	115-1-50/60	112 CFM	250x250x102
GKV2500211	In		24VDC	112 CFM	250x250x102
GKV25P0211	Out		24VDC	112 CFM	250x250x102
GKV2501220	In	UL	230-1-50/60	214 CFM	250x250x102
GKV25P1220	Out	UL	230-1-50/60	214 CFM	250x250x102
GKV2501222	In	UL	115-1-50/60	214 CFM	250x250x102
GKV25P1222	Out	UL	115-1-50/60	214 CFM	250x250x102
GKV3000220	In	UL	230-1-50/60	294 CFM	325x325x141
GKV30P0220	Out	UL	230-1-50/60	294 CFM	325x325x141
GKV3000222	In	UL	115-1-50/60	294 CFM	325x325x141
GKV30P0222	Out	UL	115-1-50/60	294 CFM	325x325x141
GKV30A1220	In		230-1-50/60	362 CFM	325x325x107
GKV30P1220	Out		230-1-50/60	362 CFM	325x325x107
GKV30A1222	In		115-1-50/60	362 CFM	325x325x107
GKV30P1222	Out		115-1-50/60	362 CFM	325x325x107
GKV30A1220U	In	UL	230-1-50/60	362 CFM	325x325x107
GKV30P1220U	Out	UL	230-1-50/60	362 CFM	325x325x107
GKV30A1222U	In	UL	115-1-50/60	362 CFM	325x325x107
GKV30P1222U	Out	UL	115-1-50/60	362 CFM	325x325x107
GKV30A2220	In		230-1-50/60	582 CFM	325x325x133
GKV30P2220	Out		230-1-50/60	582 CFM	325x325x133
GKV30A2220U	In	UL	230-1-50/60	582 CFM	325x325x133
GKV30P2220U	Out	UL	230-1-50/60	582 CFM	325x325x133
GKV30A2222U	In	UL	115-1-50/60	582 CFM	325x325x133
GKV30P2222U	Out	UL	115-1-50/60	582 CFM	325x325x133
GKV30A2207	In		400-3-50/60	647 CFM	325x325x133
GKV30P2207	Out		400-3-50/60	647 CFM	325x325x133

# Diagrams

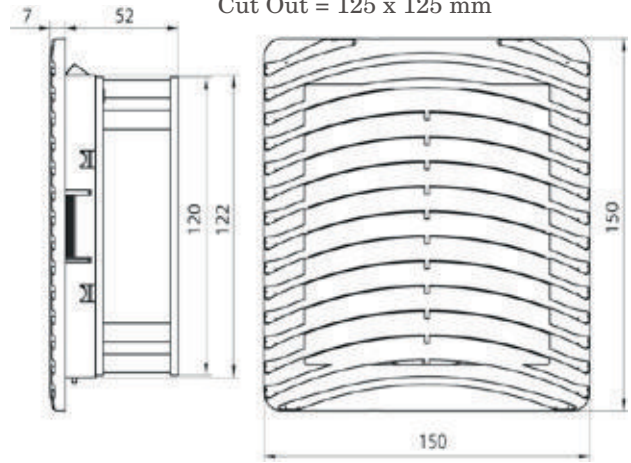
GKV10

Cut Out = 92 x 92 mm



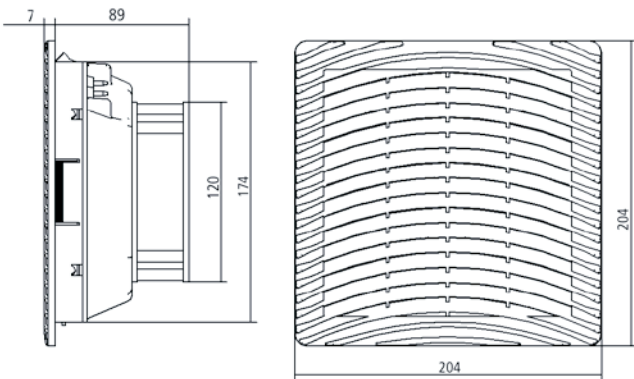
GKV15

Cut Out = 125 x 125 mm



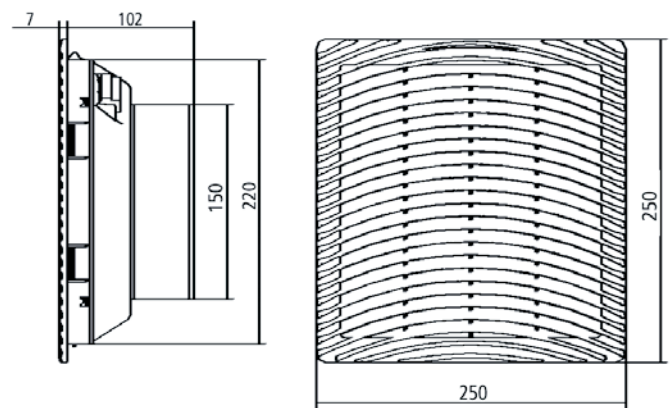
GKV20

Cut Out = 125 x 125 mm

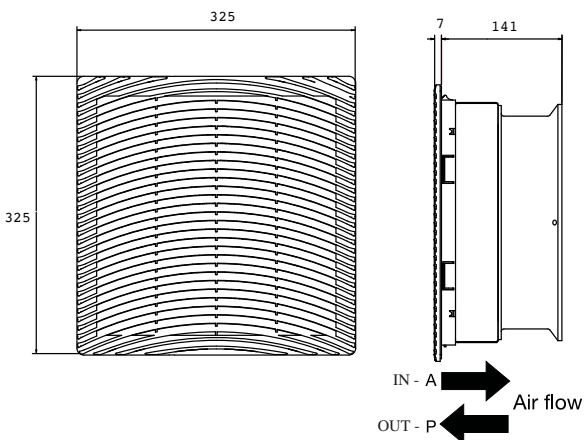


GKV25

Cut Out = 223 x 223 mm



GKV30



GKV25 CUT OUT

