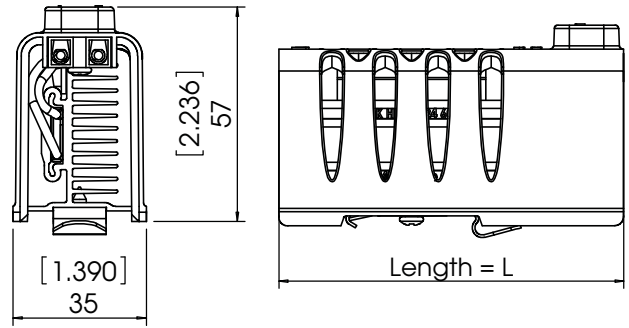


DIN RAIL ENCLOSURE HEATERS & THERMOSTATS

CONVECTION HEATERS // Nimbus D / Blizzard



Features // Blizzard

- + DIN rail mounting
- + PTC Technology with self regulating characteristics
- + Finger safe guard with terminal block standard 12-24 AWG
- + Rugged Aluminum Extrusion Profile, IP20
- + Approvals UL, CE, RoHS

Part Number	Blzd 50L	Blzd 50H	Blzd 200L	Blzd 200H
Watts at 50 °F (10 °C)	20W	40W	30W	65W
Voltage	100-240	100-240	100-240	100-240
Low Inrush Current	1.2A	2.0A	2.2A	6.0A
Rec. Fuse (time delay)	2A	2.5A	2.5A	6A
Max Surface Temp.	165 ° F	221 ° F	165 ° F	221 ° F
Length (mm: 57hx35w)	97.5mm	97.5mm	157.5mm	157.5mm

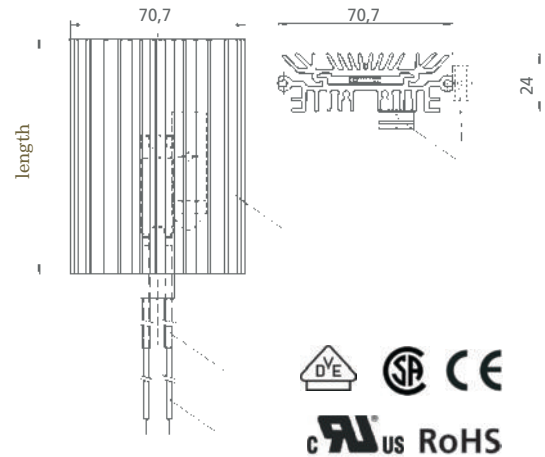


Maintain 50mm safe mounting distance between heater and other objects. Maintain 300mm distance at the hot air outlet. It is recommended to use a thermostat to control the heater.



Features // Nimbus D/E

- + DIN rail mounting
- + PTC Technology with self regulating characteristics
- + High Power to Size Ratio
- + Rugged Aluminum Extrusion Profile, IP20
- + 19 inch silicon wire leads
- + Approvals UL, CSA, CE, VDE, RoHS



Part Number	D65 30	D65-50	D95-60	D125-75	D175-100	E200-150
Watts at 50 °F (10 °C)	30W	50W	60W	75W	100W	150W
Voltage	100-240	100-240	100-240	100-240	100-240	100-240
Rec. Fuse (time delay 240V)	4A	6.3A	6.3A	6.3A	6.3A	6.3A
Rec. Fuse (time delay 110V)	2A	4A	4A	4A	6.3A	6.3A
Max Surface Temp.	266 ° F	400 ° F	400 ° F	374 ° F	392 ° F	266 ° F
Length (mm: 70.7wx24d)	65mm	65mm	95mm	125mm	175mm	200mm

Maintain 50mm safe mounting distance between heater and other objects. Maintain 300mm distance at the hot air outlet. It is recommended to use a thermostat to control the heater. Specifications are subject to change without prior notice.