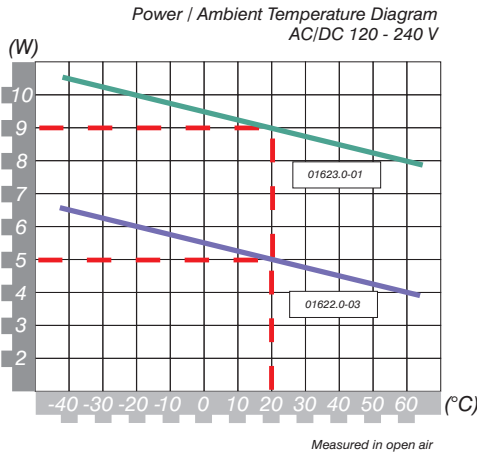




- Compact size**
- Wide voltage range**
- Heating power adjusts to ambient temperature**
- Energy saving**

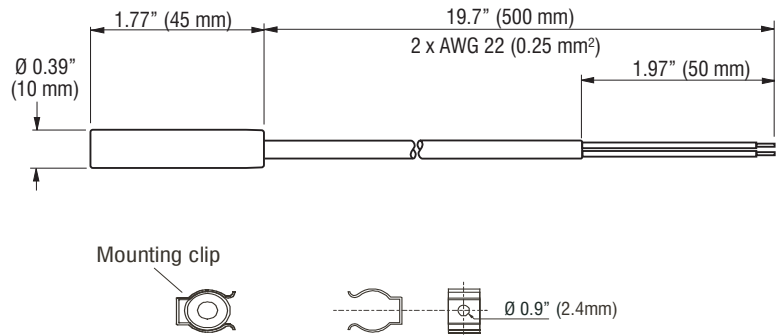
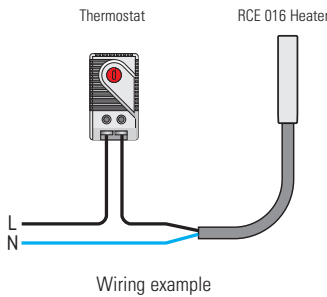
The RCE 016 small heaters have been designed to prevent condensation and to ensure a minimum operating temperature in small enclosures.



Technical Data

Operating voltage*	see table below
Heating element	PTC resistor - temperature limiting
Heater body	aluminum, anodized
Insulation	PTFE / Kapton
Mounting	2 pressure clips included (mounting screws not included)
Mounting position	variable
Operating / Storage temperature	-49 to +158°F (-45 to +70°C)
Protection class	II (double insulated)
Protection type	IP32

*Operating with voltages below 140V AC/DC reduces heating performance by approx. 10%.



Part No.	Heating capacity ¹⁾	Operating voltage	Max. current (inrush)	Surface temperature (approx.) ¹⁾	Weight (approx.)	Approvals
G 01622.0-03	5W	AC/DC 120-250V	2.0A	329°F (165°C)	0.7 oz. (20g)	UL File No. E150057, VDE
G 01623.0-01	9W	AC/DC 120-250V	2.5A	347°F (175°C)	0.7 oz. (20g)	UL File No. E150057, VDE
G 01624.0-03	5W	AC/DC 12-30V	5.8A	284°F (140°C)	0.7 oz. (20g)	UL File No. E150057
G 01625.0-02	9W	AC/DC 12-30V	2.4A	360°F (182°C)	0.7 oz. (20g)	UL File No. E150057

¹⁾ at 68°F (20°C) ambient temperature



- Compact size**
- Wide voltage range**
- Heating power adjusts to ambient temperature**
- Energy saving**

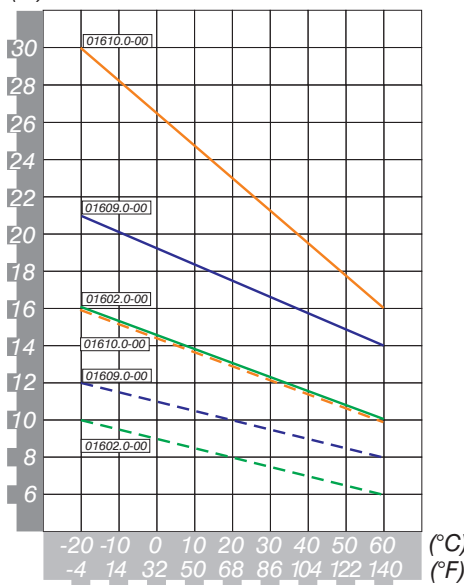
The RC 016 small heaters are designed to prevent condensation and to ensure a minimum operating temperature in small enclosures.



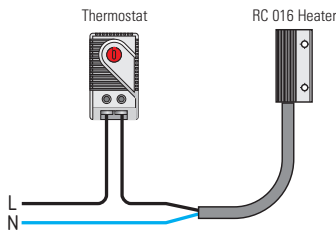
Technical Data

Operating voltage	see table below
Heating element	PTC resistor - temperature limiting
Heater body	aluminum, anodized
Insulation	PTFE / Kapton
Mounting	screw (mounting screws not included)
Mounting position	variable
Operating / Storage temperature	-49 to +158°F (-45 to +70°C)
Protection class	II (double insulated)
Protection type	IP32

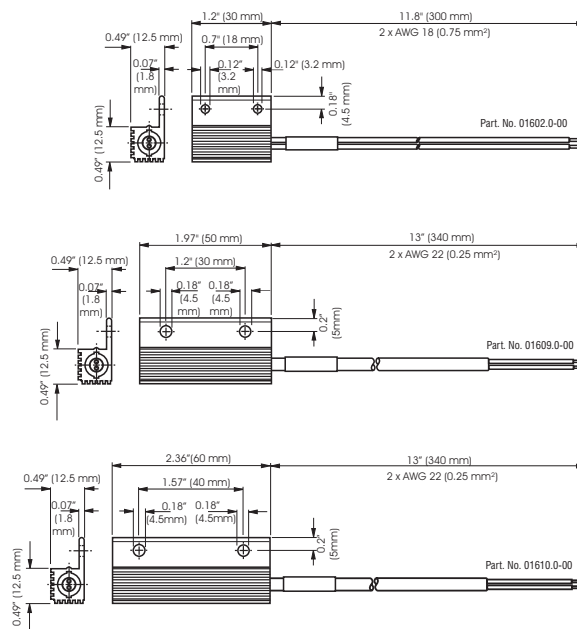
Heating Power in Relation to Ambient Temperature
AC/DC 120 - 240 V



--- : measured in open air
— : measured with heater mounted on 100 x 100 x 2 mm (4 x 4 x 0.08") aluminum plate



Wiring example



Part No.	Heating capacity ¹⁾	Operating voltage	Max. current (inrush)	Surface temperature (approx.) ¹⁾	Weight (approx.)	Approvals
G 01602.0-00	8W	AC/DC 120-240V	2.0A	302°F (150°C)	0.7 oz. (20g)	UL File No. E150057, VDE
G 01602.0-03	8W	AC/DC 12-30V	3.7A	273°F (134°C)	0.7 oz. (20g)	UL File No. E150057
G 01609.0-00	10W	AC/DC 120-240V	2.5A	311°F (155°C)	1.0 oz. (30g)	UL File No. E150057, VDE
G 01609.0-01	10W	AC/DC 12-30V	5.7A	270°F (132°C)	1.0 oz. (30g)	UL File No. E150057
G 01610.0-00	13W	AC/DC 120-240V	3.0A	338°F (170°C)	1.4 oz. (40g)	UL File No. E150057, VDE
G 01610.0-01	13W	AC/DC 12-30V	10.0A	298°F (148°C)	1.4 oz. (40g)	UL File No. E150057

¹⁾ at 68°F (20°C) ambient temperature

²⁾ operating with voltages below 140V AC/DC reduces heating performance by approx. 10% (min. 110V, max 265V).