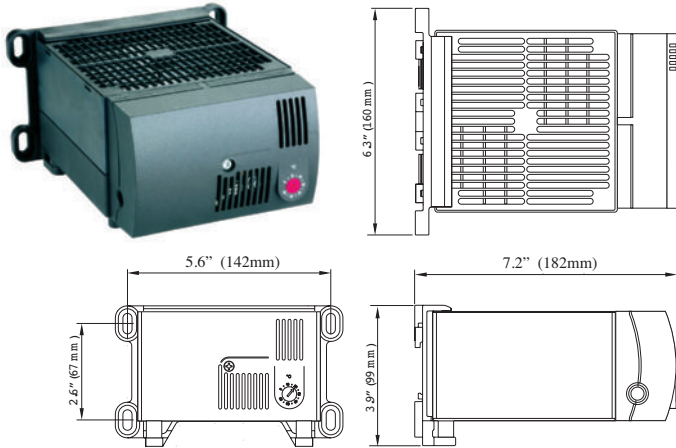
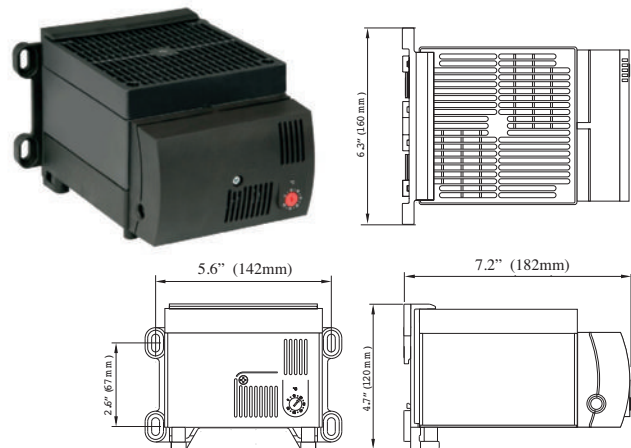


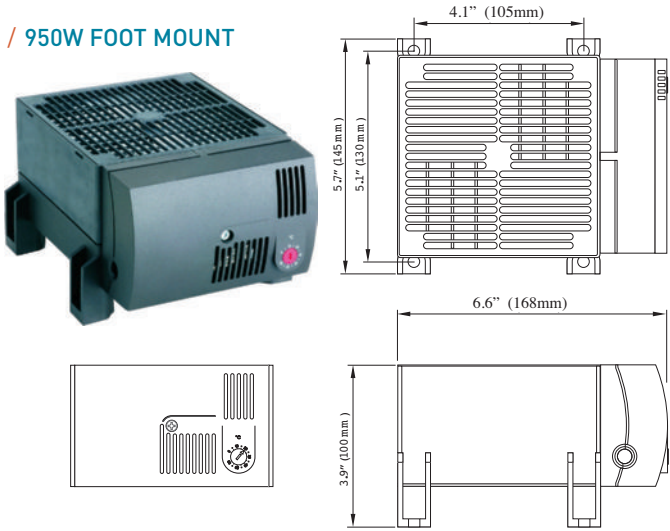
/ 950W PANEL MOUNT



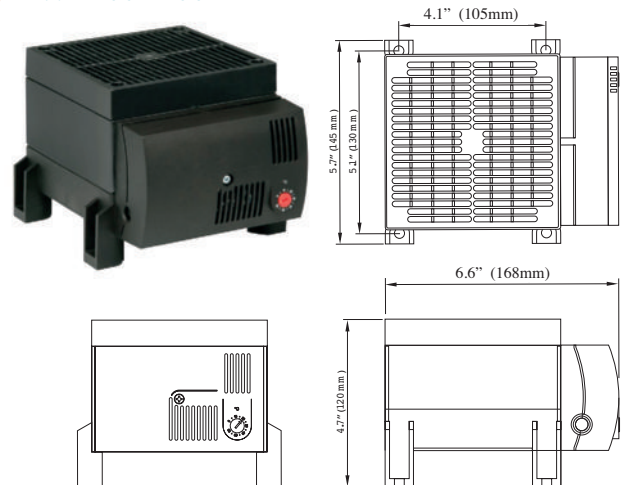
/ 1200W PANEL MOUNT



/ 950W FOOT MOUNT



/ 1200W FOOT MOUNT



DIN Rail or Panel Mount

Part Number	G13051.0-00	G13059.9-00	G13060.0-00	G13060.9-00	G13060.0-01	G13060.9-01
Watts at 68°F (20°C)	950W	950W	1200W	1200W	1200W	1200W
Axial Fan & Heater Volt.	230VAC	120VAC	230VAC	120VAC	230VAC	120VAC
Therm. dial setting range	0 to 60 °C	32 to 140 °F	0 to 60 °C	32 to 140 °F	No Controls	No Controls
Fan Life	50,000 Hrs @ 77 °F (25 °C)		50,000 Hrs @ 77 °F (25 °C)		50,000 Hrs @ 77 °F (25 °C)	
Operating Temperature	-4 to +176°F (24.8 to +80C)		-4 to +176°F (24.8 to +80C)		-4 to +176°F (24.8 to +80C)	

Foot Mount

Part Number	G03051.0-00	G03059.9-00	G03060.0-00	G03060.9-00	G03060.0-01	G03060.9-01
Watts at 68°F (20°C)	950W	950W	1200W	1200W	1200W	1200W
Axial Fan & Heater Volt.	230VAC	120VAC	230VAC	120VAC	230VAC	120VAC
Therm. dial setting range	0 to 60 °C	32 to 140 °F	0 to 60 °C	32 to 140 °F	No Controls	No Controls
Fan Life	50,000 Hrs @ 77 °F (25 °C)		50,000 Hrs @ 77 °F (25 °C)		50,000 Hrs @ 77 °F (25 °C)	
Operating Temperature	-4 to +176 °F (24.8 to +80 °C)		-4 to +176 °F (24.8 to +80 °C)		-4 to +176 °F (24.8 to +80 °C)	

Features

- + DIN rail, panel or rubber foot mount
- + High perform. cartridge heater
- + Integrated Adjustable Therm.
- + Screw Terminal Connections 16 AWG max
- + Double Insulated Plastic with built-in temperature limiter
- + Protection Class II (IP20)
- + Approvals UL, CE, VDE, RoHS



Maintain 50mm safe mounting distance between the heater and other objects. Maintain 100mm distance at the hot air outlet. Specifications subject to change without notice.