

Features // Cirrus 60



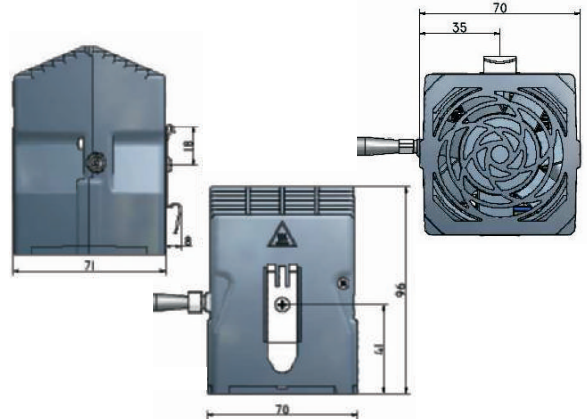
60mm

- + DIN Rail Mount
- + PTC Tech. with self regulating characteristics
- + Rugged Plastic Housing, IP20
- + 240mm cable for termination
- + Three independent heater circuits for 200, 300, or 400 watts
- + Independent fan circuit to aid in cooling
- + Approvals UL, CSA, CE, VDE, RoHS



Part Numbers	FGC3000	FGC3001
Watts at 50°F (10°C)	200/300/400	200/300/400
Fan & Heater Voltage	230VAC/50Hz	115VAC/60Hz
Rec. Time Delay Fuse	6.3A	6.3A
Fan Airflow cfm (m3/h)	5.8 (10)	5.8 (10)
Operating Temperature	14 to +158°F (-10 to +70°C)	

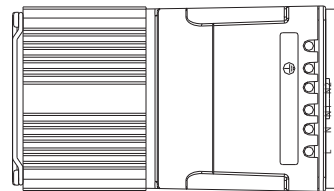
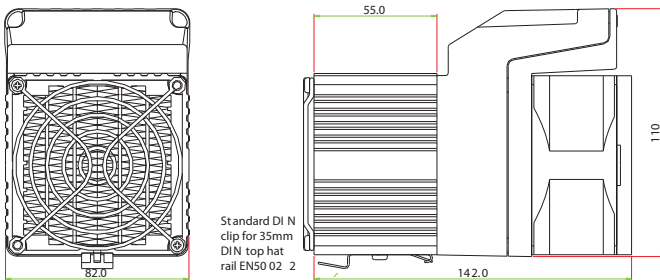
Maintain 50mm safe mounting distance between heater and other objects. Maintain 100mm distance at the hot air outlet. It is recommended to use a thermostat to control the heater.



80mm

Features // Cirrus 80

- + DIN Rail Mount
- + PTC Technology with self-regulating characteristics
- + Rugged alum. housing, IP20
- + Finger safe Screw Terminal Connections
- + Two independent heater circuits
- + Independent fan circuit to aid in cooling
- + Approvals UL, CSA, CE, VDE, RoHS



Plastic finger guard as standard.



Part Number	FGC2000	FGC2001	FGC2002	FGC2003
Watts at 50°F (10°C)	300/600	450/800	300/600	450/800
Rec. Fuse (time delay)	5A	6A	5A	6A
Fan & Heater Voltage	115 VAC	115 VAC	230 VAC	230 VAC
Fan Airflow cfm (m3/h)	20 (35)	20 (35)	20 (35)	20 (35)
Fan Life	43,500 Hrs @ 40°C L10			
Operating Temperature	-40 to +122°F (-40 to +50°C)			

Maintain 50mm safe mounting distance between heater and other objects. Maintain 100mm distance at the hot air outlet. It is recommended to use a thermostat to control the heater. Specifications are subject to change without prior notice.