

# Totalizers mechanic

## Stroke, meter and revolution counters

### Display 7-digits, reset by key

H 400, M 400, U 400, U 401



H 400 - Stroke counter



M 400 - Meter counter



U 400 - Revolution counter

#### Features

- Stroke, meter and revolution counters
- Adding
- Display 7-digits
- Reset by key

#### Technical data - mechanical design

Number of digits	7-digits
Digit height	7 mm
Reset	Reset by detachable key
Operating temperature	0...+60 °C
Housing type	Surface mount housing with mounting plate
Housing colour	Grey
Dimensions W x H x L	106 x 64 x 45 mm
Dimensions mounting plate	120 x 64 mm
Mounting	Base plate, 4 mounting holes
Weight approx.	350 g
Materials	Housing: Hostaform POM, grey Base plate: steel zinc-coated

# Totalizers mechanic

## Stroke, meter and revolution counters

### Display 7-digits, reset by key

H 400, M 400, U 400, U 401

#### Technical data - mechanical design

##### H 400

Function	Stroke counter
Display	White numbers on black
Count mode	Adding in a stroke direction to be indicated. 1 stroke = 1 count
Drive shaft	Both sides, $\varnothing 7$ mm
Stroke	$>38^\circ$ to $<60^\circ$
Stroke lever	To be positioned on shaft at will. Stroke lever relocates automatically to start position.
Stroke frequency	$\leq 500$ strokes/min
Measuring range	9 999 999

##### M 400

Function	Meter counter
Display	White numbers on black Decimal digits in red
Count mode	Adding in a rotational direction to be indicated, subtracting in reverse direction. 2 revs. = 10 counts
Drive shaft	Both sides, $\varnothing 7$ mm
Measuring speed	$<100$ m/min (measuring wheel)
Measuring accuracy	1 dm
Measuring range	999 999.9 m

##### U 400

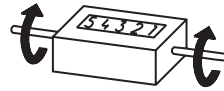
Function	Revolution counter
Display	White numbers on black
Count mode	Adding in a rotational direction to be indicated, subtracting in reverse direction or always adding. 1 rev. = 1 count
Drive shaft	Both sides, $\varnothing 7$ mm
Operating speed	$\leq 1000$ rpm
Measuring range	9 999 999

##### U 401

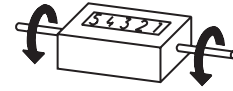
Function	Revolution counter
Display	White numbers on black
Count mode	Adding in a rotational direction to be indicated, subtracting in reverse direction. 1 rev. = 1 count
Drive shaft	Centered below, $\varnothing 7$ mm
Operating speed	$\leq 1000$ rpm
Measuring range	9 999 999

#### Direction of strokes and rotation

##### H 400, M 400, U 400

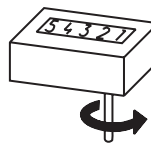


Away from user  
Sense of rotation or  
stroke direction I

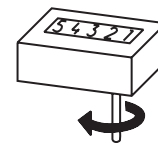


Towards user  
Sense of rotation or  
stroke direction II

##### U 401



Sense of rotation I



Sense of rotation II

#### Accessories

##### Measuring wheels for M 400

MR512.07A	Circumf. 50 cm, knurled aluminium
MR542.07D	Circumf. 50 cm, smooth Hytrel TPE-E
MR552.07A	Circumf. 50 cm, smooth Vulkollan PUR
MR562.07A	Circumf. 50 cm, knopped rubber NBR Nitril
MR592.07D	Circumf. 50 cm, grooved Hytrel TPE-E



# Totalizers mechanic

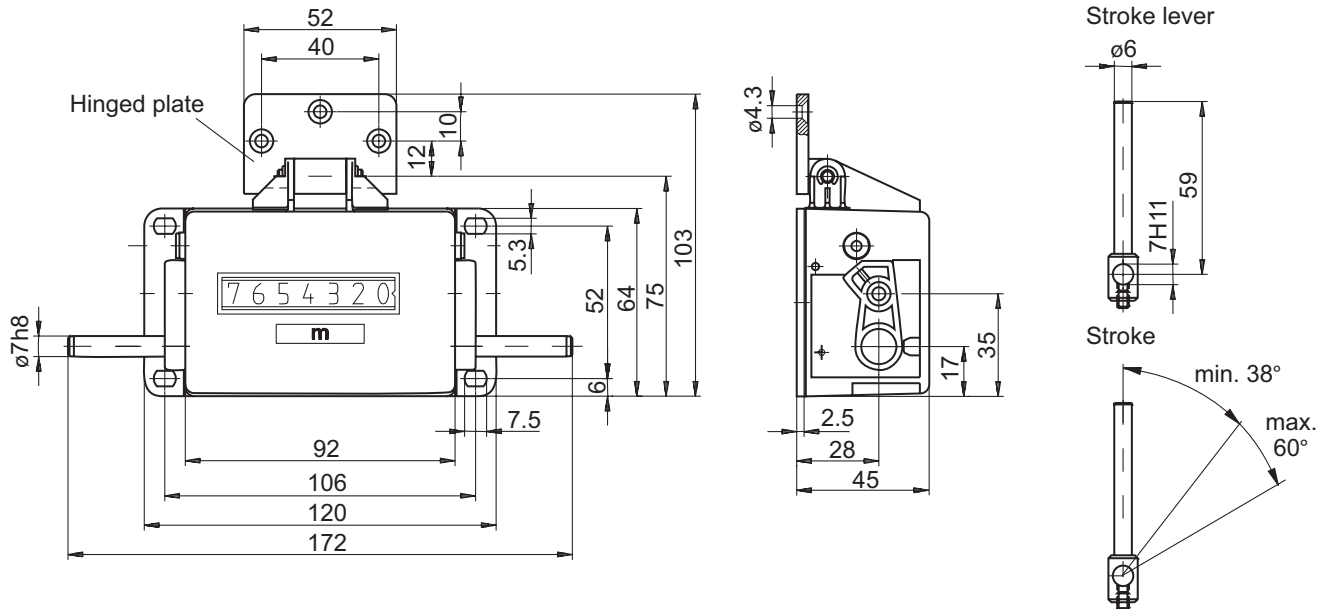
## Stroke, meter and revolution counters

### Display 7-digits, reset by key

H 400, M 400, U 400, U 401

#### Dimensions

H 400, M 400, U 400



U 401

