

HAZARDOUS AREA HEATER

CREx 020 | 50 W, 100 W (T5 / T4)



- > For use in hazardous areas
- > Large convection surface
- > DIN rail and screw mounting
- > Ready-to-use with strain relief
- > Maintenance free
- > Temperature class T5

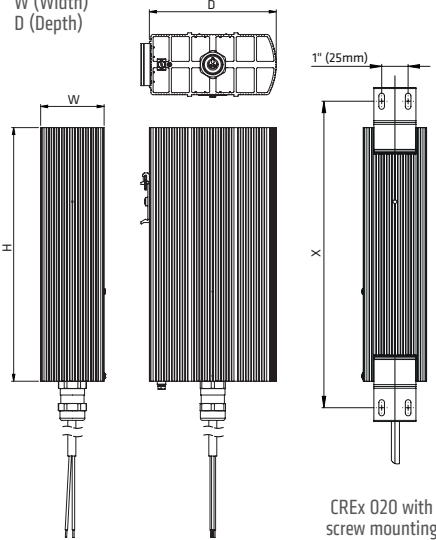
Compact convection heater of temperature class T5 (212 °F / 100 °C max.) for use in hazardous areas for prevention of formation of condensation, temperature fluctuations, and for protection against frost in control and switch cabinets, as well as in measuring equipment.



TECHNICAL DATA

Temperature class	T5
Ex Protection type	Ex II 2 GD
Gases	Ex db IIC T5 Gb
Dusts	Ex tb IIIC T100 °C Db IP66
Ambient temperature	-76 to +122 °F (-60 to +50 °C)
Surface temperature	max. +212 °F (+100 °C) / +275 °F (+135 °C)
Heating element	high performance cartridge
Heating body	aluminum profile, silver anodized
Connection	silicone cable (halogen-free) 3 x AWG 18 (0.75 mm ²), length 3 ft (1 m)
Connection PE	AWG 18 to 14 (0.75 to 2.5 mm ²)
Mounting	clip for 35 mm DIN rail, EN 60715 for heating body size 4.7 x 2.4"; screw mounting with 2 mounting brackets for all heating body sizes, optional sideways mounting
Mounting position	vertical airflow (connection at bottom)
Storage temperature	-76 to +185 °F (-60 to +85 °C)
Operating / Storage humidity	max. 90 % RH (non-condensing)
Protection type / Protection class	IP66 / I (grounded)
Approvals	EPS 16 ATEX 1 109 X IECEx EPS 16.0048X EAC

H (Height)
W (Width)
D (Depth)



CREx 020 with screw mounting brackets

CREx 020 with DIN clip

DIN clip mount	Screw mounting brackets		Operating voltage	Heating capacity	Rec. pre-fuse T (time-delay)	Dimensions (D x W x H)	Weight approx.
Part No.	Part No.	Hole spacing X					
02051.0-00	02051.0-10	8.9" (225 mm)	AC 230 V	50 W	0.5 A	4.7 x 2.4 x 7.1" (120 x 60 x 180 mm)	3.1 lbs (1.4 kg)
02051.9-00	02051.9-10	8.9" (225 mm)	AC 120 V	50 W	1.0 A	4.7 x 2.4 x 7.1" (120 x 60 x 180 mm)	3.1 lbs (1.4 kg)
02042.0-00	02042.0-10	8.9" (225 mm)	AC 230 V	100 W	1.0 A	4.7 x 2.4 x 7.1" (120 x 60 x 180 mm)	3.1 lbs (1.4 kg)
02042.0-00	02042.9-10	8.9" (225 mm)	AC 120 V	100 W	2.0 A	4.7 x 2.4 x 7.1" (120 x 60 x 180 mm)	3.1 lbs (1.4 kg)

01.03.2017 | Specifications are subject to change without notice. Suitability of this product for its intended use and any associated risks must be determined by the end customer/buyer in its final application.