

# EXPLOSION-PROOF THERMOSTAT

## REx 011



- > Compact design
- > Fixed temperature setpoints
- > High switching capacity
- > DIN rail mountable

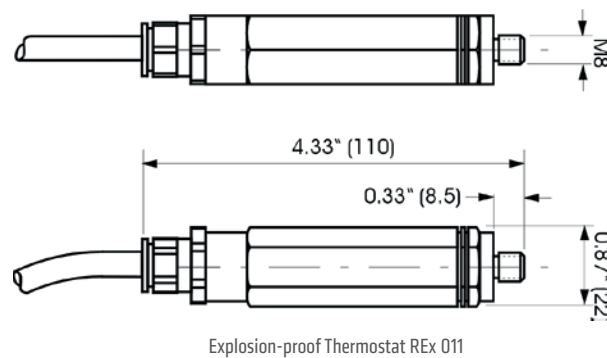
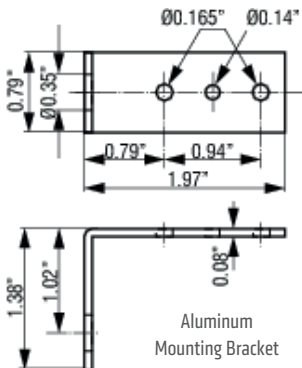
The design of the REx 011 thermostat ensures high accuracy, small switching difference (hysteresis) and a long service life. Because of the high switching capacity of the thermostat, heaters can usually be directly connected and switched without the need for additional relays.



### TECHNICAL DATA

Explosion proof according to EN	LCIE (Laboratoire Central des Industries Electriques)
Conformity certificate	01 ATEX 6074/04, LCIE N°06 ATEX Q8011, IECEx LCI 07. 0021
Sensor element	thermostatic bimetal
Contact type	NC - normally closed (opens on temperature rise)
Service life	> 100,000 cycles
Max. switching capacity	1.3 A resistive / 0.65 A inductive @ AC 250 V
Max. inrush current	AC 4 A for 12 sec.
Connection	Si HF - JZ 3 x AWG 18 (0.75 mm <sup>2</sup> ), length 3.3 ft (1 m)
Housing	aluminum, black anodized
Mounting	mounting bracket with M8 nut and clip for 35 mm DIN rail
Mounting position	variable
Operating / Storage temperature <sup>1</sup>	-40 to +185 °F (-40 to +85 °C) / -49 to +158 °F (-45 to +70 °C)
Dimensions	length 4.33" (110 mm)
Weight	approx. 7 oz. (200 g)
Protection class / Protection type	I (grounded) / IP65
Approvals	EAC submitted

<sup>1</sup> Ambient temperature of the cabinet/enclosure: -40 to +140°F (-40 to +60°C)



Part No.	Ex protection type	Switch-off temperature	Switching difference
01180.0-00	d IIC T6 - Ex tD A21 IP6X T85°C	59 °F ± 7 °F tolerance (15 °C ± 4 K tolerance)	7 °F ± 2 °F tolerance (4 K ± 1 K tolerance)
01181.0-00	d IIC T6 - Ex tD A21 IP6X T85°C	77 °F ± 7 °F tolerance (25 °C ± 4 K tolerance)	7 °F ± 2 °F tolerance (4 K ± 1 K tolerance)

08.08.2014 | Specifications are subject to change without notice. Suitability of this product for its intended use and any associated risks must be determined by the end customer/buyer in its final application.