

ENCLOSURE RECEPTACLE

SD 035



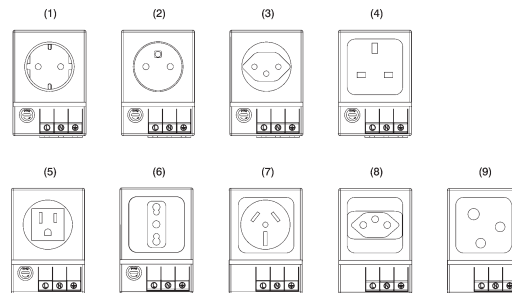
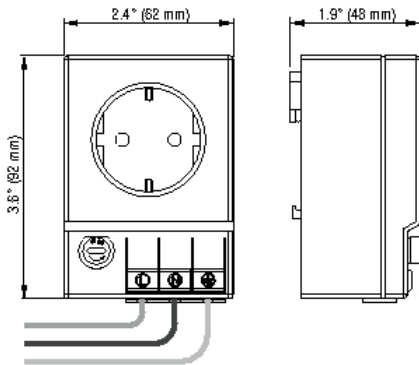
- > Quick connections
- > Available with or without fuse
- > DIN rail mountable

The DIN rail mounted electrical receptacle can be quickly fitted and connected in enclosures allowing the use of auxiliary products such as hand lamps and power tools. The unit is available with and without fuse, and in many world outlet standards.



TECHNICAL DATA

Connection	3 cage clamps for solid and stranded wire AWG 20-14 (0.5-2.5 mm ²)
Housing	plastic, UL94 V-0, light grey
Mounting	clip for 35mm DIN rail, EN 60715
Mounting position	vertical
Operating / Storage temperature	-49 to +158 °F (-45 to 70 °C)
Operating / Storage humidity	max. 90 %RH (non-condensing)
Dimensions	3.6 x 2.4 x 1.9" (92 x 62 x 48 mm)
Weight	approx. 7 oz. (200 g)
Protection class / Protection type	I (grounded) / IP20



Part No.	Operating voltage max.	Socket	Model	Nominal current	Approvals
03500.0-00	AC 250 V	Germany/Russia (1)	with fuse ¹	6.3 A	-
03500.0-01	AC 250 V	Germany/Russia (1)	without fuse	16.0 A	-
03501.0-00	AC 250 V	France/Poland (2)	with fuse ¹	6.3 A	-
03501.0-01	AC 250 V	France/Poland (2)	without fuse	16.0 A	-
03502.0-00	AC 250 V	Switzerland (3)	with fuse ¹	6.3 A	-
03502.0-01	AC 250 V	Switzerland (3)	without fuse	10.0 A	-
03503.0-00	AC 250 V	UK/Ireland (4)	with fuse ¹	6.3 A	-
03503.0-01	AC 250 V	UK/Ireland (4)	without fuse	13.0 A	-
03504.0-00	AC 125 V	USA/Canada (5)	with fuse ¹	6.3 A	UL File No. E222026
03504.0-01	AC 125 V	USA/Canada (5)	without fuse	15.0 A	UL File No. E222026
03505.0-00	AC 250 V	Italy (6)	with fuse ¹	6.3 A	-
03505.0-01	AC 250 V	Italy (6)	without fuse	16.0 A	-
03507.0-01	AC 240 V	Australia (7)	without fuse	10.0 A	-
03508.0-01	AC 250 V	Brazil (8)	without fuse	10.0 A	-
03509.0-01	AC 250 V	Old British - BS 546 (9)	without fuse	5.0 A	-

¹ fuse Ø 5 x 20 mm